

esq  
MOVADO

OPERATING INSTRUCTIONS  
WARRANTY & SERVICE GUIDE

# TABLE OF CONTENTS

ESQ MOVADO WATCHES	Page 3
CARE & MAINTENANCE	Page 4
OPERATING INSTRUCTIONS	
STANDARD 2-HAND MODELS, Quartz and Automatic <i>Includes ESQ Sport Classic watches and new ESQ Movado Angle,     Corbel and Contempo models</i>	Page 6
STANDARD 3-HAND DATE MODELS <i>Includes ESQ Filmore and Quest watches and new ESQ Movado Capital,     Catalyst, Excel, Origin and Synthesis models</i>	Page 7
BIG DATE 3-HAND MODELS <i>Includes new ESQ Movado Fusion 3-hand models</i>	Page 8
MULTI-EYE MODELS <i>Includes new ESQ Movado Fusion multi-eye models</i>	Page 9
1/1 QUARTZ CHRONOGRAPHS <i>Includes ESQ Bracer and Sport Classic and new ESQ Movado     Excel chronographs</i>	Page 11
1/10 QUARTZ CHRONOGRAPHS <i>Includes new ESQ Movado Catalyst chronograph</i>	Page 14
INTERCHANGEABLE STRAPS/BRACELETS <i>Includes new ESQ Movado Fusion models</i>	Page 17
OBTAINING SERVICE	Page 18
WARRANTY	Page 19
AUTHORIZED SERVICE CENTERS	Page 20

## ESQ MOVADO WATCHES

Powered by *Movado*, ESQ *Movado* explores the breadth of today's modern design.

The name *Movado* is synonymous with modern design. With a signature brand look defined by unique design elements, ESQ *Movado* watches offer a fresh perspective on modern design – one that breaks the rules, and embraces the details.

From updated classics to chic bangles and eye-catching sport models, ESQ *Movado* watches for men and women combine distinctive American style with a fashion-forward sensibility and Swiss-engineered precision.

Recognizable, versatile, and well-priced, ESQ *Movado* offers contemporary watch design for modern living. Congratulations on your purchase.

# CARE AND MAINTENANCE

Like any finely crafted mechanism, your ESQ Movado watch requires periodic maintenance for optimal performance.

Maintenance includes complete disassembly, cleaning, replacement of parts as needed, reassembly and lubrication of the movement. A maintenance interval of 3 to 5 years is recommended, in addition to any required battery replacement.

Never open the watch yourself. If your watch needs repair or adjustment, take or mail it directly to an ESQ Movado Authorized Service Center. For a complete worldwide listing, visit us online at [www.mgiservice.com](http://www.mgiservice.com).

NOTE: ESQ Movado assumes responsibility only for service performed at its Authorized Service Centers.

## SHOCK

All ESQ Movado watches have shock-resistant movements, and are tested to meet international standards for shock resistance.

## DUST

Dust can enter a watch if the case, crystal or crown is not intact. A small particle is enough to stop the movement. Have your watch repaired promptly if the crystal becomes loose, chipped or cracked, or if there is damage to the case or crown.

## MAGNETISM

The exposure of a timepiece to strong magnetic fields will affect its time-keeping, and may cause it to stop. A quartz watch should resume working with its original accuracy when removed from the magnetic field; a mechanical timepiece may require demagnetization before it will operate again.

## WATER RESISTANCE

All ESQ Movado watches are tested to meet international standards for water resistance. Most models are water resistant to 3 bar (3 ATM/30 meters/99 feet); certain models are water resistant to even greater pressures/depths, as marked on the dial or case back.

CAUTION: If the water resistance limit is not marked on your watch, do not subject it to a pressure/depth greater than 3 bar (3 ATM/30 meters/99 feet), or your watch could be damaged and your warranty will be voided.

IMPORTANT: Do not operate the watch crown, push-buttons on a chronograph model, or any other pushers/buttons when the timepiece is wet or under water.

NOTE: ESQ Movado will not be responsible for any damage caused by or related to leakage originating from improper handling or damage to the case, crown, gaskets or crystal.

To maintain water resistance, yearly maintenance is required. The gaskets and crown which seal the case are subject to wear and deterioration under normal use. These parts should be inspected and replaced as needed each time the watch is opened for service, including battery changes.

Your Authorized ESQ Movado Service Center will automatically retest your watch for water resistance as a routine step in all service orders.

## OTHER PRECAUTIONS:

If your watch is equipped with a screw-down crown, be sure to screw it back down into the case after every operation.

## CARE AND MAINTENANCE

Water resistance applies only to the watch case; some watch straps should not be worn under water or subjected to wet conditions. Please see Strap Care.

Avoid exposing your watch to sudden and excessive temperature variations.

Do not drop your watch or bang it against a hard surface. Water resistance must be rechecked after every violent shock.

Clean your watch regularly by wiping it with a soft cloth dampened with fresh water, especially after exposure to seawater.

### **STRAP CARE**

While the life span of a watch strap depends on your care and wearing habits, as well as the climate in which you live, proper care will extend its life.

Leather straps should be kept dry. Exposure to water may cause a leather watch strap to become brittle and eventually break. To preserve the finish of the leather, contact with perfumes should be avoided. Following exposure to chlorinated or salt water, gently damp wipe your leather strap with fresh water, and air dry.

To help preserve the natural elasticity and quality of a rubber, silicone or polyurethane strap, rinse it using a soft cloth soaked in fresh water following exposure to salt water, chemicals or abrasive substances. Contact with acetone and ethyl alcohol should be avoided.

Use warm water and a neutral pH soap applied to a soft cloth to gently clean a white silicone strap; then wipe with a second clean cloth dipped in warm water, or rinse carefully under warm running water.

NOTE: ESQ Movado watch straps are not covered by the ESQ Movado watch warranty.

### **BATTERY INFORMATION**

An ESQ Movado quartz timepiece has a 1.55 Volt silver-oxide battery that is specially designed for watches. It will last approximately 18-36 months under normal use.

NOTE: Frequent use of special functions, like the stopwatch timer on chronograph models, may shorten battery life.

End-of-life feature: The seconds hand on many models will start to move haltingly in 4-second increments when the battery is almost exhausted, signaling the need to have it replaced.

Battery replacement: It is important to use only the replacement battery recommended by ESQ Movado. Take or send your watch to an Authorized Service Center to have battery changed – your old battery will be disposed of/recycled properly. Do not attempt to change the battery yourself.

## STANDARD 2-HAND MODELS QUARTZ AND AUTOMATIC

*Includes ESQ Sport Classic watches and new ESQ Movado Angle, Corbel and Contempo models*

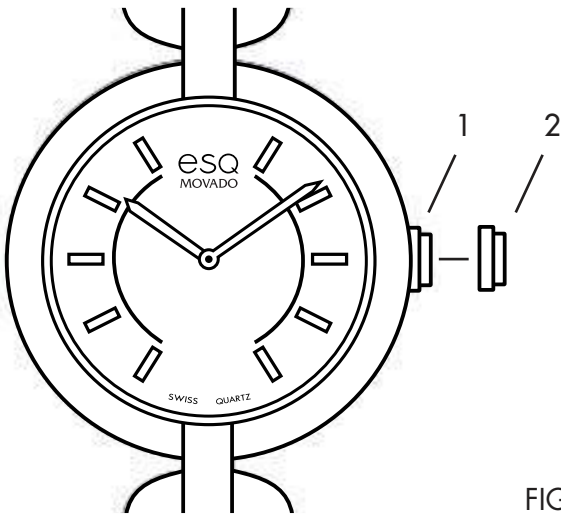


FIGURE A

### **Crown positions:**

Position 1 – Normal position.

Crown pushed into case.

Position 2 – To set TIME:

Rotate crown in either direction.

### **To manually wind an automatic movement:**

The motion of your arm during normal daily activities should be sufficient to keep the movement of an ESQ Movado automatic timepiece wound. However, if you have not worn your watch for more than 40 hours and the watch has stopped, you will need to wind it by hand before setting the time:

1. With the crown in position 1, turn the crown clockwise approximately 20 revolutions.
2. Reset time following instructions above.

## STANDARD 3-HAND DATE MODELS

*Includes ESQ Filmore and Quest watches and new ESQ Movado Capital, Catalyst\*, Excel, Origin and Synthesis models*

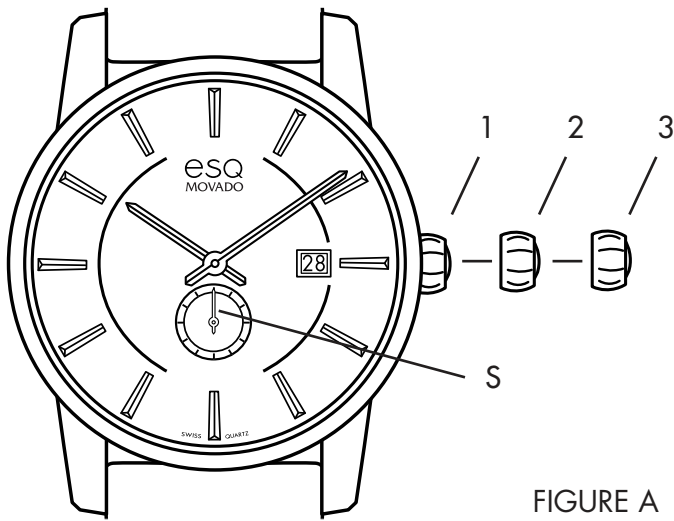


FIGURE A

### To set time to exact second:

1. Pull crown out to position 3 precisely when small seconds hand **S** reaches <<60>> position. (Watch stops.)
2. Adjust time to one minute ahead, and take an accurate time signal, from a radio news station, for example.
3. When audible tone signals exact time, immediately push crown back in to position 1. (Watch will restart, now set to the exact time.)

### Crown positions:

Position 1 – Normal running position.

Crown pushed into case.

Position 2 – To set DATE\*:

Rotate crown clockwise.

Position 3 – To set TIME\*:

Rotate crown in either direction.

\*IMPORTANT: Do not set the Date on ESQ Movado Catalyst models when the time is between 9:30 PM and 3:00 AM, and automatic calendar changes are already in progress. Doing so could damage the mechanism.

\*NOTE: If your watch has a screw-down crown, before you can set the Date or Time, you must first unlock the crown by turning it counterclockwise approximately six rotations. After Time/Date setting, the crown must be screwed back down into the case clockwise to ensure water resistance.

## BIG DATE 3-HAND MODELS

*Includes new ESQ Movado Fusion 3-hand models*

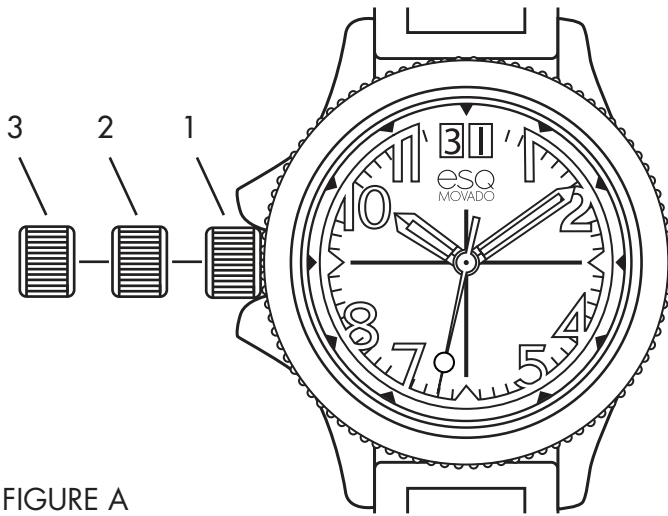


FIGURE A

### Crown positions:

Position 1 – Normal position.

Crown pushed into case. (Watch runs.)

Position 2 – Position for Quick Change of Big Date.

Rotate crown clockwise. (Watch continues to run.)

Position 3 – To set TIME: Rotate crown in either direction. (Watch stops.)

Your ESQ Movado Big Date 3-hand watch features an oversized date window with two single-digit disks that rotate independently of one another.

Each day, during the calendar “jump phase” – the hours between 10:00 pm and 12:00 midnight – the Big Date will advance automatically. It may be adjusted manually during these hours; however it must be set to the following day: the date will not automatically change at midnight if it has been manually adjusted during the jump phase.

### To set Big Date (Quick Change Mode):

1. Pull crown out to position 2. (Watch continues to run.)
2. Turn crown clockwise until correct digit appears in each of the two Big Date windows.
3. Push crown back in to position 1, flush against case.

NOTE: Winding speed should not exceed 5 days/second during Big Date Setting in Quick Change Mode. If you turn the crown too rapidly, you may inadvertently advance past desired date. If this happens, continue to turn crown clockwise, advancing through dates past 31 to 01, then on to correct date.



## MULTI-EYE MODELS

with Second Time Zone/Small Seconds Subdials and Big Date

*Includes new ESQ Movado Fusion multi-eye models*

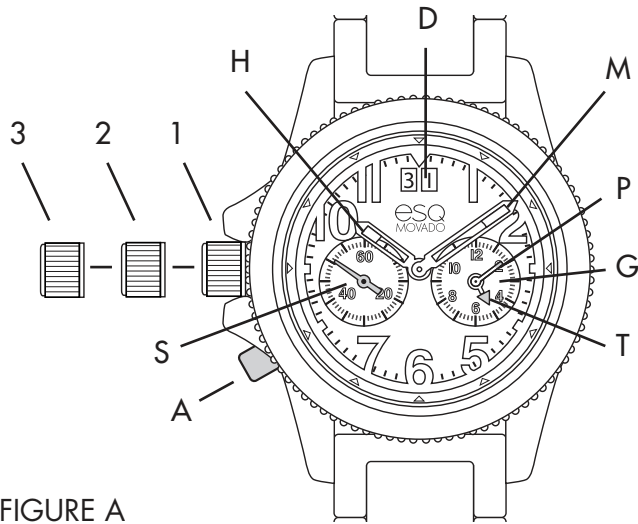


FIGURE A

### LEGEND:

- H – Hour hand
- M – Minute hand
- S – Small seconds subdial
- G – Second Time Zone subdial
- P – Small Minute hand
- T – Small Hour hand
- D – Big Date display
- 1, 2, 3 – Crown positions
- A – Push-button for setting time in Second Time Zone

These ESQ Movado multi-eye models feature a GMT sub-dial with small hour and minute hands for tracking time in a second time zone, a small seconds subdial and Big Date display.

### To set the Second Time Zone:

Use push-button **A** to set the time in subdial **G**. You may set the small hour **T** and minute hand **P** to indicate the local time in any time zone.

### Activating time-setting mode:

1. To enter time-setting mode, press and hold push-button **A** for at least 2 seconds. As soon as small minute hand **P** in subdial **G** jumps ahead one minute, time-setting mode is activated.

NOTE: Once the mode is activated, if 10 seconds elapses before push-button **A** is pressed, the watch will automatically exit time-setting mode.

### Setting the hands:

1. To advance small minute hand **P** one minute at a time, repeatedly press and hold push-button **A** for less than 1 second before releasing it.
2. To advance small hour hand **T** by one hour, press and hold push-button **A** for 1 to 2 seconds before releasing it.
3. To advance hands **P** and **T** continuously, press and hold push-button **A** for longer than 2 seconds. When desired time approaches, release button **A**, then follow steps 1 and/or 2 to advance hands incrementally to desired time.

### To set the time:

1. Pull crown out to position 3. (Watch stops.)
2. Turn crown in either direction until hands indicate desired time.
3. Push crown back in to position 1. (Watch restarts.)

### Setting time to the exact second:

1. Pull crown out to position 3 precisely when small seconds hand **S** reaches <<60>> position. (Watch stops.)
2. Adjust time to one minute ahead, and take an accurate time signal, from a radio news station, for example.
3. When audible tone signals exact time, immediately push crown back in to position 1. (Watch restarts, now set to the exact time.)

### To set the Big Date (Quick Mode):

1. Pull crown out to position 2. (Watch continues to run.)
2. Turn crown clockwise until correct date appears in Big Date display **D**.
3. Push crown back in to position 1.

NOTES: If date is adjusted between 9:00 PM and midnight when automatic date changes are already

## MULTI-EYE MODELS

(continued)

in progress, it should be set to the following day: The Big Date will not automatically advance at midnight if it has been corrected via quick mode during these hours.

If crown is turned too rapidly during quick mode date setting, the Big Date may not change properly at midnight. To correct the date manually, pull crown out to position 2, turn it clockwise until correct date appears in window; then return it to position 1.

### To set the Big Date/Time manually:

1. Pull crown out to position 2. (Watch continues to run.)
2. Turn crown clockwise until yesterday's date appears in Big Date display **D**.
3. Pull crown out to position 3. (Watch stops.)
4. Turn crown clockwise until correct date appears in Big Date display **D**.
5. Continue to turn crown clockwise until hands **M** and **H** indicate correct time.
3. Push crown back in to position 1. (Watch restarts, set to correct date and time.)

# 1/1 QUARTZ CHRONOGRAPH

Includes ESQ Bracer and Sport Classic and new ESQ Movado Excel chronographs

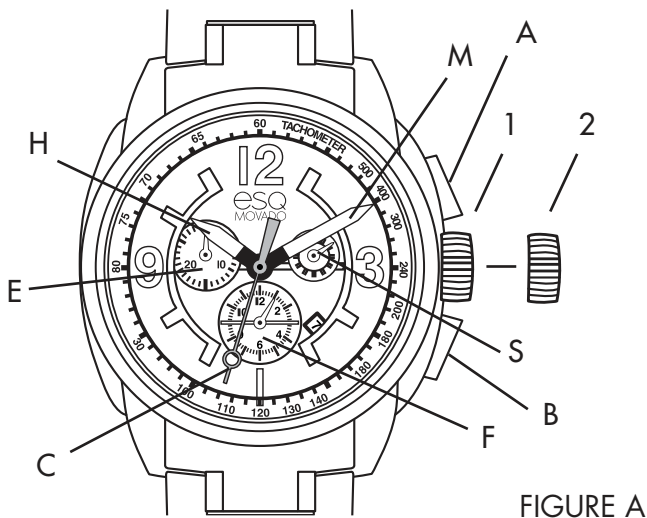


FIGURE A

## LEGEND:

- H – Hour hand
- M – Minute hand
- S – Small seconds hand
- C – Chronograph seconds hand
- E – Chronograph 30-minutes counter
- F – Chronograph 12-hours counter
- D – Date window
- 1, 2, 3 – Crown positions
- A – Chronograph push-button (start/stop)
- B – Chronograph push-button (split-time/reset)

A chronograph combines two time-keeping functions. It incorporates a device to measure intervals of time independent of the regular time shown on the dial.

These ESQ Movado chronograph models feature a minute counter (up to 30), hour counter, and small seconds subdial; center-mounted chronograph seconds hand; and date or Big Date window. They can be used to time an event up to 12 hours in duration to the nearest second.

## TIME/DATE SETTING

### To set the Time:

1. Pull crown to position 3. (Watch stops.)

2. Turn crown in either direction until hands indicate desired time.
3. Push crown back in to position 1. (Watch restarts.)

### To adjust time to the exact second:

1. Pull crown out to position 3 precisely when small seconds hand **S** reaches <<60>> position. (Watch stops.)
2. Adjust time to one minute ahead, and take an accurate time signal, from a radio news station, for example.
3. When audible tone signals exact time, immediately push crown back in to position 1. (Watch restarts, now set to the exact time.)

### To correct the Date (Quick Mode):

1. Pull crown out to position 2. (Watch continues to run.)
2. Turn crown clockwise until correct date appears in window **D**.
3. Push crown back in to position 1.

NOTE: If date is adjusted between 9:00 PM and midnight when automatic date changes are already in progress, it should be set to the following day: The Date will not automatically advance at midnight if it has been corrected via quick mode during these hours.

### To set Date/Time following a battery change:

1. Pull crown out to position 2. (Watch continues to run.)
  2. Turn crown clockwise until yesterday's date appears in window **D**.
  3. Pull crown out to position 3. (Watch stops.)
  4. Turn crown clockwise until today's date appears in window **D**.
  5. Continue to turn crown clockwise until hands indicate correct time.
- NOTE: Be sure to take AM/PM into account when setting time.
6. Push crown back in to position 1. (Watch restarts.)

# 1/1 QUARTZ CHRONOGRAPH

(continued)

## CHRONOGRAPH FUNCTIONS

### Overview

Use buttons **A** and **B** to operate the chronograph. Pressing button **A** the first time will start the chronograph. Pressing button **A** a second time will stop the chronograph, allowing elapsed time to be read. Pressing button **A** a third time will restart the chronograph. Pressing button **B** will reset chronograph hands **C**, **E** and **F** to zero. Adjusting the time does not stop the chronograph, but it does block buttons **A** and **B** for as long as the crown is pulled out.

NOTE: Crown must be in position 1 and hands must be at zero before chronograph is started. Press button **B** to reset hands to zero.

IMPORTANT: Do not push button **A** or **B** when crown is pulled out to position 2 or 3. If button **A** or **B** is accidentally activated while crown is not flush against case, one or more of the chronograph hands may become de-synchronized. Should this occur, follow instructions at end for synchronizing chronograph hands.

### Simple chronograph functions:

To measure the duration of a single, non-stop event:

1. Press button **A** to start chronograph.
2. Press button **A** a second time to stop chronograph, and read the 3 chronograph hands to determine elapsed time, for example: 1 hour, 8 minutes, 47 seconds.
3. Press button **B** to reset chronograph hands to zero.

### Accumulated time functions:

To measure the combined time of a series of shorter events, for example the actual playing time of a football game, where play is repeatedly interrupted:

1. Press button **A** to start chronograph.
2. Press button **A** a second time to stop chronograph and read elapsed time, for example: 15 minutes, 22 seconds.

3. Press button **A** again to resume measurement.
4. Press button **A** a fourth time to stop chronograph again, and read new elapsed time, for example: 28 minutes, 35 seconds.

NOTE: Each time you stop chronograph, chronograph hands will indicate total accumulated time.

5. Repeat steps 1 and 2 to add each additional interval of time.
6. After you have taken your final accumulated time reading, press button **B** to reset chronograph hands to zero.

### Split-time or intermediate-time functions:

To take intermediate time readings as a race progresses:

1. Press button **A** to start chronograph.
2. Press button **B** to momentarily stop chronograph.
3. Read off the intermediate time, for example: 11 minutes, 16 seconds.
4. Press button **B** to resume chronograph function. The 3 chronograph hands will quickly catch up with ongoing event.
5. To read a second split time, press button **B** again. Repeat steps 2 through 4 to take any additional split times.
6. Press button **A** to stop chronograph.
7. Take a reading of the final time, for example: 2 hours, 14 minutes, 7 seconds.
8. Press button **B** to reset chronograph hands to zero.

### Synchronizing chronograph hands:

After a battery change or in the event of an error, you may need to manually adjust one or more of the chronograph hands to align them all correctly at their zero positions.

NOTES: Once in corrective mode, each press and release on push-button **A** will advance active chronograph hand by one increment. To advance hand rapidly, depress and hold push-button **A**. You may exit correction mode at any time in the sequence by returning crown to position 1.

# 1/1 QUARTZ CHRONOGRAPH

(continued)

1. Pull crown out to position 3.
2. Press and hold push-buttons **A** and **B** simultaneously for at least 2 seconds to enter corrective mode.  
When chronograph seconds hand **C** rotates 360°, corrective mode is activated; release buttons **A** and **B**.
3. Adjust center-mounted chronograph seconds hand **C** using push-button **A**.
4. When hand **C** reaches zero position, press push-button **B**.
5. Now press push-button **A** to adjust minute counter hand **E**.
6. When hand **E** reaches zero position, press push-button **B**.
7. Use push-button **A** again to adjust hour counter hand **F**.
8. When hand **F** reaches zero position, push crown back in to position 1.

Timing hands are now synchronized at zero position, and chronograph is ready for use.

# 1/10 QUARTZ CHRONOGRAPH

*Includes new ESQ Movado Catalyst chronograph*

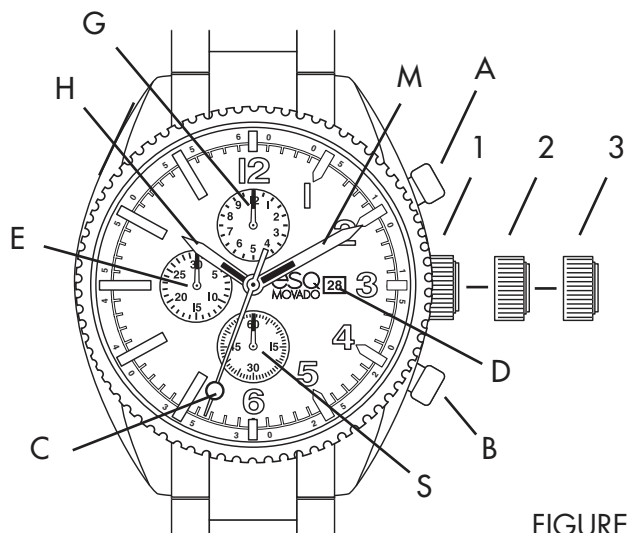


FIGURE A

## LEGEND:

- H – Hour hand
- M – Minute hand
- S – Small seconds hand
- C – Chronograph seconds hand
- G – Chronograph tenths-of-a-second counter (hour counter after 30 minutes)
- E – Chronograph 30-minute counter
- D – Date window
- 1, 2, 3 – Crown positions
- A – Chronograph push-button (start/stop)
- B – Chronograph push-button (split-time/reset)

A chronograph combines two time-keeping functions. It incorporates a device to measure intervals of time independent of the regular time shown on the dial.

These ESQ Movado chronograph models feature a minute counter (up to 30), tenths-of-a-second counter which becomes an hour counter after 30 minutes, and small seconds hand subdials, a center-mounted chronograph seconds hand, and date window. They can be used to time an event up to 29 minutes and 59.9 seconds in duration to the nearest 1/10 of a second; or up to 9 hours, 59 minutes and 59 seconds in duration to the nearest full second.

## TIME/DATE SETTING

### To set the time:

1. Pull crown out to position 3. (Watch stops.)
2. Turn crown in either direction until hands indicate desired time.
3. Push crown back in to position 1. (Watch restarts.)

### To adjust Time to the exact second:

1. Pull crown out to position 3 precisely when small seconds hand **S** reaches <<60>> position. (Watch stops.)
2. Adjust time to one minute ahead, and take an accurate time signal, from a radio news station, for example.
3. When audible tone signals exact time, immediately push crown back in to position 1. (Watch restarts, now set to the exact time.)

### To correct the Date (Quick Mode):

1. Pull crown out to position 2. (Watch continues to run.)
2. Turn crown clockwise until correct date appears in window **D**.
3. Push crown back in to position 1.

NOTE: If date is adjusted between 9:00 PM and midnight when automatic date changes are already in progress, it should be set to the following day: The Date will not automatically advance at midnight if it has been corrected via quick mode during these hours.

### To set Date/Time following a battery change:

1. Pull crown out to position 2. (Watch continues to run.)
2. Turn crown clockwise until yesterday's date appears in window **D**.
3. Pull crown out to position 3. (Watch stops.)
4. Turn crown clockwise until today's date appears in window **D**.
5. Continue to turn crown clockwise until hands indicate correct time.

# 1/10 QUARTZ CHRONOGRAPH

(continued)

NOTE: Be sure to take AM/PM into account when setting time.

6. Push crown back in to position 1. (Watch restarts.)

## CHRONOGRAPH FUNCTIONS

### Overview

Use buttons **A** and **B** to operate the chronograph. Pressing button **A** the first time will start the chronograph. Pressing button **A** a second time will stop the chronograph, allowing elapsed time to be read. Pressing button **A** a third time will restart the chronograph. Pressing button **B** will reset chronograph hands **C**, **E** and **F** to zero. Adjusting the time does not stop the chronograph, but it does block buttons **A** and **B** for as long as the crown is pulled out.

NOTE: Crown must be in position 1 and hands must be at zero before chronograph is started. Press button **B** to reset hands to zero.

IMPORTANT: Do not push button **A** or **B** when crown is pulled out to position 2 or 3. If button **A** or **B** is accidentally activated while crown is not flush against case, one or more of the chronograph hands may become de-synchronized. Should this occur, follow instructions at end for synchronizing chronograph hands.

### Simple chronograph functions:

To measure the duration of a single, non-stop event:

1. Press button **A** to start chronograph.
2. Press button **A** a second time to stop chronograph, and read the 3 chronograph hands to determine elapsed time, for example: 1 hour, 8 minutes, 47 seconds.
3. Press button **B** to reset chronograph hands to zero.

### Accumulated time functions:

To measure the combined time of a series of shorter events, for example the actual playing time of a football game, where play is repeatedly interrupted:

1. Press button **A** to start chronograph.
2. Press button **A** a second time to stop chronograph and read elapsed time, for example: 15 minutes, 22 seconds.
3. Press button **A** again to resume measurement.
4. Press button **A** a fourth time to stop chronograph again, and read new elapsed time, for example: 28 minutes, 35 seconds.

NOTE: Each time you stop chronograph, chronograph hands will indicate total accumulated time.

5. Repeat steps 1 and 2 to add each additional interval of time.
6. After you have taken your final accumulated time reading, press button **B** to reset chronograph hands to zero.

### Split-time or intermediate-time functions:

To take intermediate time readings as a race progresses:

1. Press button **A** to start chronograph.
2. Press button **B** to momentarily stop chronograph.
3. Read off the intermediate time, for example: 11 minutes, 16 seconds.
4. Press button **B** to resume chronograph function. The 3 chronograph hands will quickly catch up with ongoing event.
5. To read a second split time, press button **B** again. Repeat steps 2 through 4 to take any additional split times.
6. Press button **A** to stop chronograph.
7. Take a reading of the final time, for example: 2 hours, 14 minutes, 7 seconds.
8. Press button **B** to reset chronograph hands to zero.

### Synchronizing chronograph hands:

After a battery change or in the event of an error, you may need to manually adjust one or more of the chronograph hands to align them all correctly at their zero positions.

NOTES: Once in corrective mode, each press and release on push-button **A** will advance active chrono-

# 1/10 QUARTZ CHRONOGRAPH

(continued)

graph hand by one increment. To advance hand rapidly, depress and hold push-button **A**.

You may exit correction mode at any time in the sequence by returning crown to position 1.

1. Pull crown out to position 3.
2. Press and hold push-buttons **A** and **B** simultaneously for at least 2 seconds to enter corrective mode. When chronograph seconds hand **C** rotates 360°, corrective mode is activated; release buttons **A** and **B**.
3. Adjust center-mounted chronograph seconds hand **C** using push-button **A**.
4. When hand **C** reaches zero position, press push-button **B**.
5. Now press push-button **A** to adjust minute counter hand **E**.
6. When hand **E** reaches zero position, press push-button **B**.
7. Use push-button **A** again to adjust hour counter hand **F**.
8. When hand **F** reaches zero position, push crown back in to position 1.

Timing hands are now synchronized at zero position, and chronograph is ready for use.



# INTERCHANGEABLE STRAPS/BRACELETS

*Includes new ESQ Movado Fusion models*

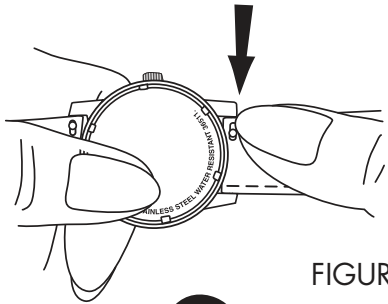


FIGURE 1A

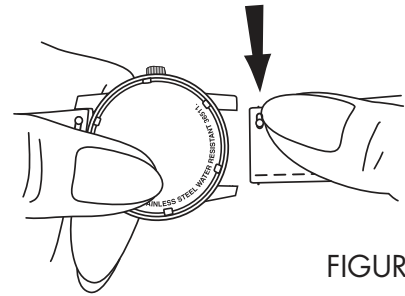


FIGURE 1B

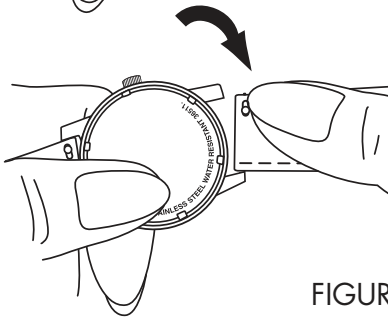


FIGURE 2A

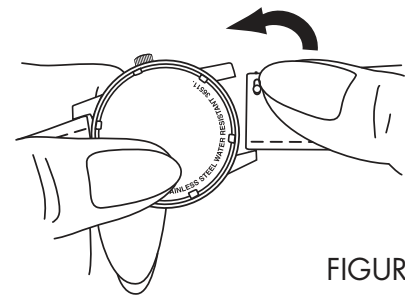


FIGURE 2B

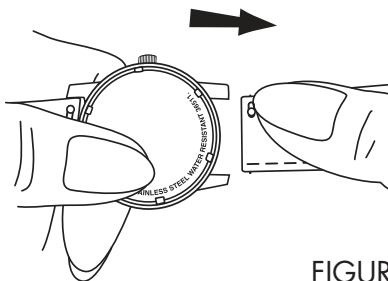


FIGURE 3A

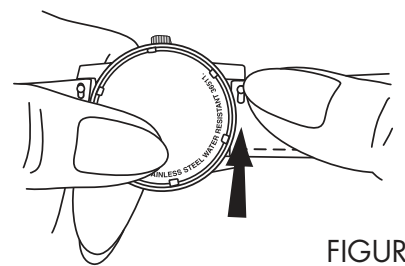


FIGURE 3B

Certain ESQ Movado watches come with interchangeable bracelets and straps that feature a built-in tension spring pin at each end where they attach to the case. A small release button, accessible through a tiny slot on the inside of the strap/bracelet, allows you to quickly and easily make a change.

NOTE: The belt end of a strap should be attached to the 6 o'clock side of the watch case, the buckle end to the 12 o'clock side.

## To remove strap/bracelet:

1. (Figure 1A) Grasping watch case in one hand with dial facing away from you, use thumb nail to slide release button toward center of strap/bracelet.
2. (Figure 2A) Pull gently down and away on strap to detach it from case on release button side.
3. (Figure 3A) Once freed from hole in lug on this side, tension pin should slide easily out of the case on other side.
4. Repeat steps to detach other half.

## To attach new strap/bracelet:

1. (Figure 2A) Guide strap/bracelet, with inside facing you, into position between lugs of case.
2. (Figure 2B) Insert tip of tension pin furthest away from slide release button into hole in lug.
3. (Figure 3B) Slide release button to retract tension pin and maneuver strap/bracelet into position between lugs, then ease pressure on release button, guiding end of tension pin into hole in lug, and tug gently to make sure strap/bracelet is properly attached.
4. Repeat steps to attach other half.

## OBTAINING SERVICE

Should your ESQ Movado timepiece require service or repair, you may take or send it to any ESQ Movado Authorized Service Center. Visit [www.mgiservice.com](http://www.mgiservice.com) for a complete, current worldwide listing.

To obtain service under the ESQ Movado Warranty, you will be required to present a valid warranty card. See Warranty section for details.

### **PACKING AND MAILING INSTRUCTIONS:**

1. Include a letter with specific information about the problem with your watch. List all the items you would like to have serviced or repaired. Be sure to include your address and phone number.
2. Wrap your watch well with packing material for protection against shock. Use a sturdy box securely fastened with tape: Do not use your watch's original gift box for shipping.
3. Ship via registered mail. We recommend that you insure your watch for its full replacement value.

### **TRACKING SERVICE ONLINE**

When you send your watch directly to ESQ Movado in Moonachie, NJ for service, we will send you a written acknowledgement that includes a personal User ID and Password. With them, you may authorize and track the status of your watch service online via our secure internet site [www.mgiservice.com](http://www.mgiservice.com).

## TWO-YEAR LIMITED WARRANTY

ESQ Movado will, within two years from date of purchase, repair or replace, at ESQ Movado's option, the movement of your timepiece free of charge if such movement proves to be defective in material or workmanship under normal use.

This warranty does not cover damage or defects arising from accidents, misuse or neglect, or from any alterations, service or repair performed by any party other than ESQ Movado or an authorized ESQ Movado service center. This warranty does not cover batteries, straps, bracelets, crystals, or cases; and is void if the timepiece was not purchased from an authorized ESQ Movado dealer.

Any other warranty provided by the retailer, is entirely their responsibility. No person or company is authorized to change the terms of this warranty. This warranty gives the consumer specific legal rights. He/she may also have other statutory rights which may vary from state to state, and country to country.

## ESQ MOVADO AUTHORIZED SERVICE CENTERS

For a complete worldwide listing, visit [www.mgiservice.com](http://www.mgiservice.com).